

# Operation Lamp MF-13



Image above: Operation lamp MF-13 with SWING-Stand



Image above: Control panel of the operation lamp



Image above: detail of the lamp head with sterilizable handle

Sturdy mobile operation lamp with 4-feet-SWING-stand.

A multitude of computer-calculated faceted lenses guarantees homogeneity and lowest shadiness in the light field. Separately arranged optical systems, each with one LED module, generate their own light field, which increases the contrast effect of the OT-light. Light intensities of 100.000 Lux can be attained without difficulty.

**The following light functions can be adjusted electronically, such as:**

- Switching ON and OFF
- Electronic light intensity control

The light field can be focused by turning the handle (pictured sterilizable handle available as an option against surcharge). The focussable light beam allows a punctual illumination of deepest wound channels with light intensity and an exact matching of the light field diameter with the size of the wound field.

The life-span of more than 40.000 operating hours reduces the costs for exchanging and replacing the illuminants considerably, compared with the conventional halogen technology used with former OT-lights. By implementation of the LED technology the power consumption could be reduced partially with more than 50%.

The LED technology is much more effective than conventional light sources such as halogen bulbs. The heat radiation is reduced to a minimum without using any expensive filter technique. The temperature increase in the surgeon's head area is almost nonexistent.

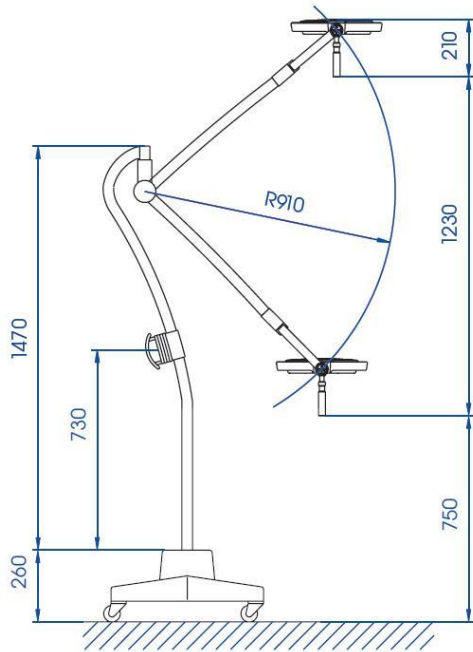
*Technical details see back page...*

**KUGEL medical GmbH & Co. KG**  
Hermann-Köhl-Str. 2A  
DE - 93049 Regensburg/Germany

Phone +49/941/20 86 48-0  
Fax +49/941/20 86 48-29  
[www.KUGEL-medical.de](http://www.KUGEL-medical.de)



# Operation Lamp MF-13



## Technical Details:

|                                      |                     |
|--------------------------------------|---------------------|
| Light intensity at 1 meter distance: | 60,000 Lux          |
| Color rendering index Ra (general):  | 95                  |
| Color rendering index R9:            | 94                  |
| Color temperature:                   | 4,300 K             |
| Focusable size of the light field:   | 17 cm – fixed focus |
| LED lamps:                           | 28 W                |
| Voltage:                             | 230 Volt            |
| Type:                                | MF-13               |
| Article No.:                         | 090.200.010         |

**KUGEL medical GmbH & Co. KG**  
Hermann-Köhl-Str. 2A  
DE - 93049 Regensburg/Germany

Phone +49/941/20 86 48-0  
Fax +49/941/20 86 48-29  
[www.KUGEL-medical.de](http://www.KUGEL-medical.de)

